

Built for Your



Industry



(a subsidiary of Bright Coop, Inc.)

built the way you want it for the way you use it!

**Standard 4 Bolster
Model: V4B40F**

Weight 11,600 lbs. Plus or Minus 3%



Known for being tough, Viking Forestry Trailers are built for the task. Day after day and through the roughest terrain, situations, constant loading and unloading, the toughest single point suspension, the toughest mainframe, the toughest bolsters you can buy. You can make it everyday with a Viking. Capacity: 80,000 lb. GVWR. Lightweight capacity: 80,000 lb. GVWR.

**Lightweight 4 Bolster
Model: V4B40FLW**

Weight 10,675 lbs. Plus or Minus 3%



Shown with Options

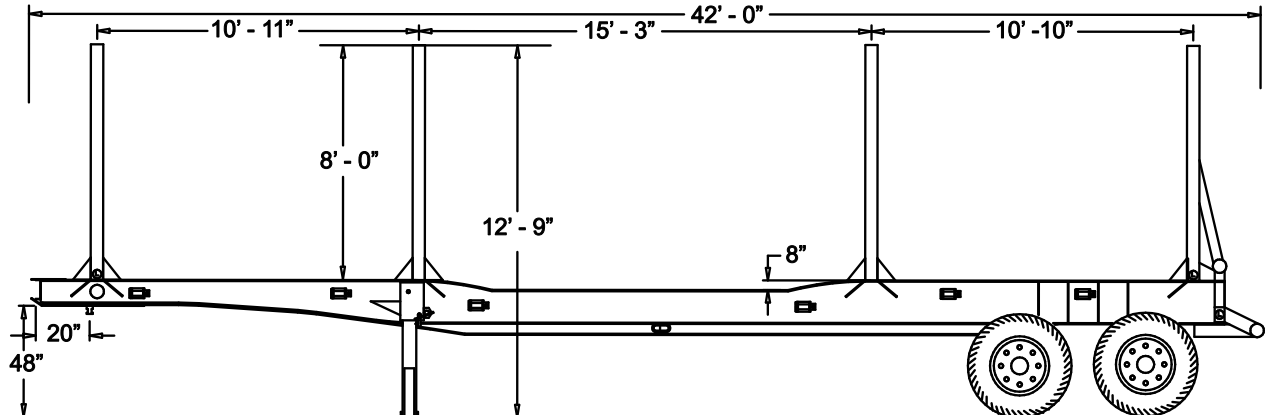


(a subsidiary of Bright Coop, Inc.)

built the way you want it for the way you use it!

Standard 4 Bolster

Model: V4B40F



102" Wide Weight 11,600 lbs. Plus or Minus 3% Capacity: 80,000 lb. GVWR
 102" Wide Lightweight 10,675 lbs. Plus or Minus 3% Capacity: 80,000 lb. GVWR

Features:

- Mainframe..... 16" Fabricated main beams, 7/16" x 5" top flange, 1/2" x 5" bottom flange, 1/4" web (light weight model 3/8" x 5" top and bottom flange with 3/16" web) welded on both sides. All flange and web material is high strength steel.
- Crossmembers... 8" x 8.5# Structural channel.
- Kingpin..... 2" SAE kingpin, 3/8" kingpin plate, 20" kingpin setting (standard).
- Suspension..... Watson-Chalin® 50,000 Lb. 7 leaf single point spring suspension.
- Axles (2) 25,000 Lb., 5" round, 5/8" wall.
- Brakes..... 16-1/2" x 7", Type 30 brake chambers, outboard drums, Meritor WABCO®(2S/1M) ABS on one axle.
- Wheels..... 8.25 x 24.5, Steel 10 hole disc, hub piloted (color: white).
- Tires..... 11R x 24.5 Radials.
- Landing gear..... Winch back 5-1/2" pipe (for lightweight winch back 2" x 4" reinforced tubing).
- Finish..... Shotblasted and painted black with a high solid polyurethane paint.
- Floor..... None, 1/4" smooth plate over kingpin and tandem areas.
- Lights..... 7-Way main receptacle, sealed wiring harness, rubber mounted LED lights. 3 Lights per side including mid-turn.
- Tandem..... Set at 50" from the rear of the trailer.
- Tiedowns..... (6) Winches with (6) 4" flat hook nylon straps.
- Rear bumper..... Heavy duty pipe push bumper and high visibility reflective conspicuity tape.
- Uprights..... 5" x 5" x 3/8" Tubing, 4" x 10" x 5/16" bunk (light-weight model: 5" x 5" x 1/4" Tubing, 4" x 10" x 1/4" bunk).

Options:

- Straight frame without 4" drop center
- Additional trailer length (per foot)
- Airlift axle for single point or airride suspensions
- Watson-Chalin® air ride suspension
- HUTCH® three point suspension
- Vulcan® single point load cells (L03) mounted (830-00339)
- Vulcan® V-200 or V-500 trailer electronics (830-00340)
- Full width and full height front bulkhead
- Polished finish aluminum wheels (saves 175 lbs.)
- Machine finish aluminum wheels (saves 175 lbs.)
- Grapple bar

Viking Specialized Trailers, L.L.C.
 1730 S.W. Stalling Dr., Suite 101
 Nacogdoches, Texas 75964
 (936) 564-8370 (844) 815-6210
 Fax (936) 205-9171
www.vikingspztrailers.com